

BROADBAND PROPAGATION

Antenna Design & Supply

1-3 Adelaide Rd. Echunga
PO Box 529 Echunga
South Australia. 5153

Phone: (08) 8388 8132
Fax: (08) 8388 8536
Intl.Phone: (618) 8388 8132
Intl.Fax: (618) 8388 8536

ABN: 84 232 273 647

E-mail: sales@broadbandpropagation.com
Web: www.broadbandpropagation.com

HF BROADBAND SHIPBOARD WHIP ANTENNA

Model: BP-MWT-5-3-30

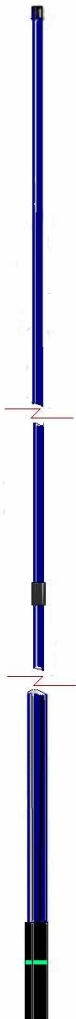
The BP-MWT-5-3-30 is a ruggedized, 7 metre HF whip antenna and automatic tuner combination designed for shipboard mounting. The combination offers continuous and automatic coverage of the HF Band from 3-30 MHz.

The tuner is housed in a fully marinated enclosure and has 150 memory channels enabling rapid tune time. Power rating is 10 to 150 Watts SSB PEP

The antenna is vertically polarised and it's radiating element is constructed from heavy duty tapered fibreglass. All metal components are fabricated from marine grade stainless steel. All other exposed surfaces are fully protected against aggressive, marine/ salt spray environments.

The antenna is delivered in two pieces and joins with a sturdy threaded connection.

A variety of mounting fixtures, constructed from marine grade stainless steel, are available or the mount can be tailored to suit the customer's specific needs.



Tuner Specifications

Tunable frequency: 3 - 30 MHz
Input impedance: 50 ohms
Input power: 10 - 150W PEP
VSWR: <2:1
Power supply voltage: 12V +/- 10%
Current consumption: <0.8A

Auto tuning time: Approx. 2 seconds (first time tuning) Less than 1 second (return to memory frequency)

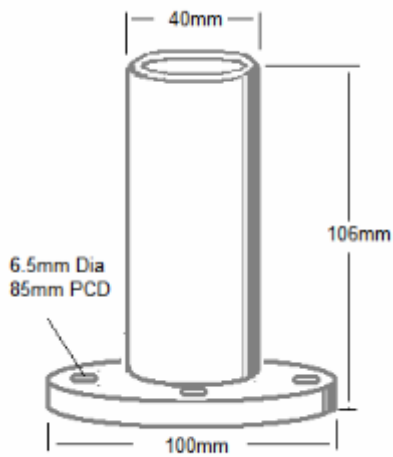
Memory channels: 150
Weight: 2.0 KG
Size: 276mm X 190mm X 96mm (L - W - H)

Antenna Specifications

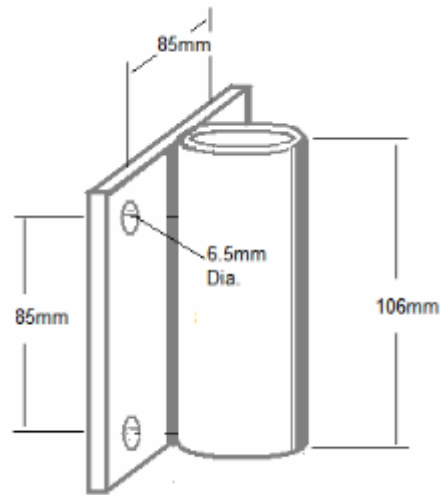
Frequency: 2-30 MHz
Gain: 0-3 dBi typical
VSWR: <2:1
Horizontal Pattern: Omnidirectional
Polarisation: Vertical
Input connection: 10mm threaded connecting lug
Overall length: 7.0m
Overall Width: 45mm at base
Wind Rating: 130 km/hr
Mounting: Customer specified mounting

Can be supplied with a variety of marine grade stainless steel mounting fixtures

Antenna Mounting Options



Flange Mount - Marine Grade Stainless Steel



Side or Post/ Spigot Mount - Marine Grade Stainless Steel

ENVIRONMENTAL SPECIFICATIONS

The BP-MWT-5-3-30 is engineered and manufactured to be compliant with the following MIL-STD-810 Standards.

- **MIL-STD 810F Method 501.4** High Temperature (Both storage and operating)
- **MIL-STD 810F Method 502.4** Low Temperature (Both storage and operating)
- **MIL-STD 810F Method 503.4** Temperature Shock
- **MIL-STD 810F Method 505.4** Solar Radiation (Sunshine)
- **MIL-STD 810F Method 506.4** Rain
- **MIL-STD 810F Method 507.4** Humidity
- **MIL-STD 810F Method 508.5** Fungus
- **MIL-STD 810F Method 509.4** Salt Fog
- **MIL-STD 810F Method 510.4** Sand and Dust
- **MIL-STD 810F Method 514.5** Vibration
- **MIL-STD 810F Method 521.2** Icing, Freezing Rain

HF BROADBAND SHIPBOARD WHIP ANTENNA
Model: BP-MWT-5-3-30 Radiation Patterns

